

SENSOR DIMENSIONS

FIBER-OPTIC SENSORS

1 SENSOR DIMENSIONS

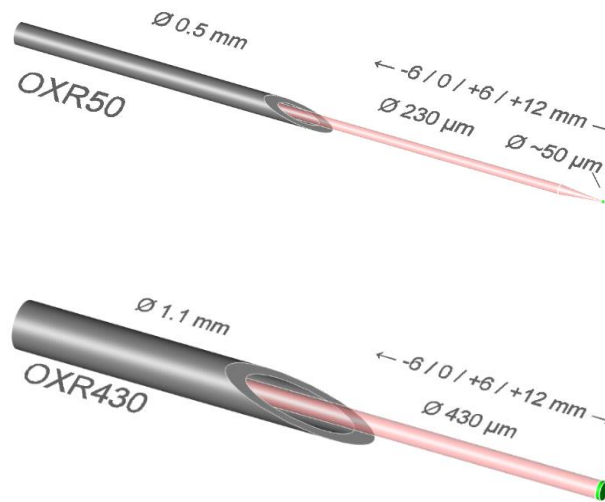
All dimensions stated for the following sensors are valid for all available versions of the respective oxygen sensors: full range and trace range versions, high speed and ultra-high speed versions (options **-HS** & **-UHS**), as well as optically isolated sensors (option **-OI**).

1.1 Dimensions of Retractable Needle-type Sensors (OXR50 & OXR430; TPR430)

Sensor Dimensions	OXR50	OXR430 / TPR430
Sensor Dimensions Length without cable (ca.) Shaft diameter (ca.)	230 mm 8 mm	230 mm 8 mm
Needle Dimensions Length Diameter	40 mm 0.5 mm	40 mm 1.1 mm mm
Fiber and Sensor Tip Fiber diameter Tip diameter (ca.) Sensor tip position (rel. to needle, ca.)	230 μ m 50-70 μ m -6/0/+6/+12 mm	430 μ m 430 μ m -6/0/+6/+12 mm
Cable length (ca.)	2 m or 4 m (custom versions up to 20 m)	

Tip Geometries

True to scale drawings with syringe needle (grey), optical fiber (pink) and oxygen-sensitive REDFLASH indicator (green).

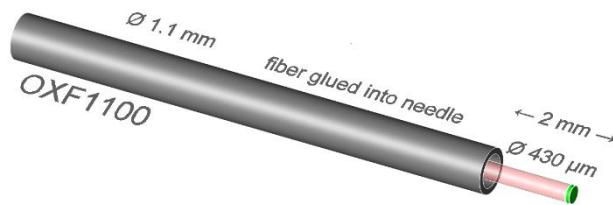


1.2 Dimensions of Fixed Needle-type Sensors (OXF50, OXF1100; TPF1100)

Sensor Dimensions	OXF50 / TPF1100	OXF1100
Sensor Dimensions Length without cable (ca.) Shaft diameter (ca.)	190 mm 8 mm	190 mm 8 mm
Needle Dimensions Length Diameter	40 mm 0.5 mm	40 mm 1.2 mm
Fiber and Sensor Tip Fiber diameter Tip diameter (ca.) Sensor tip position (rel. to needle, ca.)	230 μm 50-70 μm ca. 6 mm	430 μm 430 μm ca. 2-3 mm
Cable length (ca.)	2 m or 4 m (custom versions up to 20 m)	

Tip Geometries (exemplary)

True to scale drawings with syringe needle (grey), optical fiber (pink) and oxygen-sensitive REDFLASH indicator (green).

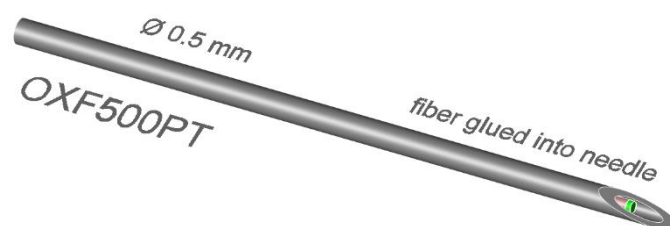


1.3 Dimensions of Fixed Needle-type Sensors with protected tip (OXF500PT & OXF900PT)

Sensor Dimensions	OXF500PT	OXF900PT
Sensor Dimensions Length without cable (ca.) Shaft diameter (ca.)	190 mm 8 mm	190 mm 8 mm
Needle Dimensions Length Diameter	40 mm 0.5 mm	40 mm 0.9 mm
Fiber and Sensor Tip Fiber diameter Tip diameter (ca.) Sensor tip position (rel. to needle)	230 µm 230 µm 0 mm	230 µm 230 µm 0 mm
Cable length (ca.)	2 m or 4 m (custom versions up to 20 m)	

Tip Geometries (exemplary)

True to scale drawings with syringe needle (grey), optical fiber (pink) and oxygen-sensitive REDFLASH indicator (green).

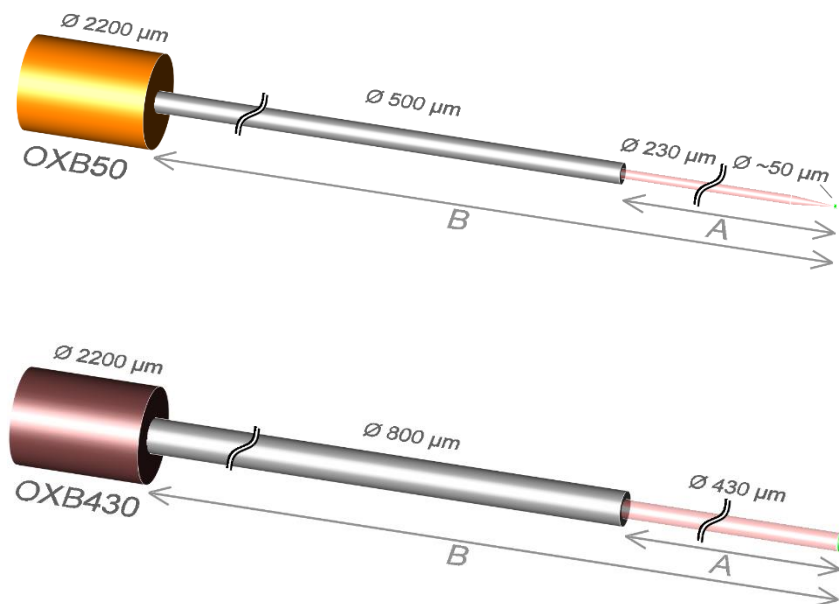


1.4 Dimensions of Bare Fiber Sensors (OXB50, OXB430; TPB430)

Sensor Dimensions	OXB50	OXB430 / TPB430
Fiber and Sensor Tip		
Fiber diameter	230 μm	430 μm
Tip diameter (ca.)	50-70 μm	430 μm
Tip geometry	see image below	
Stripping length	A = 20mm, B = 100mm (other stripping lengths optional on request: A= 5-30 mm, B= 20-500 mm (B +/- 5 mm))	
Cable length (ca.)	2 m or 4 m (custom versions up to 20 m)	

Tip Geometries

True to scale drawings with outer jacket (orange), plastic coating (grey), optical fiber (pink) and oxygen-sensitive REDFLASH indicator (green).



1.5 Dimensions of Solvent-Resistant Probes (OXSOVLV & OXSOLV-PTS)

Sensor Dimensions	OXSOVLV	OXSOLV-PTS
Sensor Dimensions Length without cable (ca.) Shaft diameter (ca.)	300 mm 8 mm	190 mm 8 mm
Needle Dimensions Length Diameter	150 mm 1.5 mm	40 mm 1.5 mm
Fiber and Sensor Tip Fiber diameter Sensor tip position (rel. to needle, ca.)	3 mm 2 mm	3 mm 0 mm
Cable length (ca.)	2 m or 4 m (custom versions up to 20 m)	

Contact

PyroScience GmbH
 Hubertusstraße 35
 52064 Aachen
 Deutschland

Tel.: +49 (0)241 5183 2210
 Fax: +49 (0)241 5183 2299
info@pyroscience.com
www.pyroscience.com