

# Device Specifications

## AquapHOx Transmitter

For sensor specifications and response times, please refer to the webpages of the different sensor types.

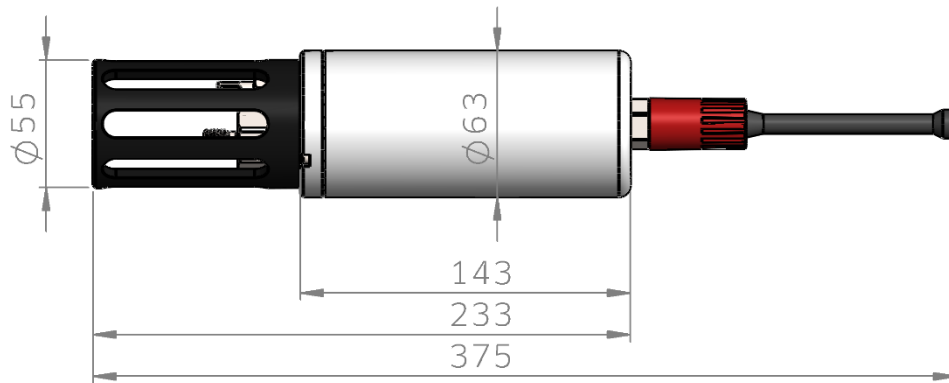
Specifications		
<b>Item No.</b>	APHOX-TX	APHOX-T-PH / APHOX-T-O2
<b>Dimensions</b>	63 x 300 mm	63 x 300 mm
<b>Weight in air</b>	1.31 kg	0.406 kg
<b>Housing Material</b>	Titanium	Polyoxymethylene (POM)
<b>Max. hydrostatic pressure</b>	400 bar (4000m)	20 bar (200m)
<b>Supported analytes</b>	pH, O <sub>2</sub> and optical temperature	APHOX-T-PH: pH and optical temperature  APHOX-T-O2: O <sub>2</sub> and optical temperature
<b>Optical sensor connector</b>	PyroScience underwater connector (-SUB)	
<b>Optical sensor port</b>	1	
<b>Compatible optical sensors</b>	Portfolio of optical sensors with underwater connector (-SUB) from PyroScience	
<b>External temperature sensor</b> Range* Resolution Accuracy Typical response time	Pt100 sensor for automatic temperature compensation -30°C - 150°C 0.001°C 0.05°C 3 s	
<b>Software</b>	Pyro Workbench or Pyro Developer Tool	
<b>Digital interface</b>	RS485 (USB 2.0 adapter cable included)	
<b>Electrical Connector</b>	MCBH8M	
<b>Power Supply</b>	5-15VDC (only RS485 / USB) 10-15 VDC (Analog Outputs)	
<b>Analog Output</b>	2x 0-5V, 2x 4-20mA (16 bit each)	
<b>Digital Protocols</b>	Modbus RTU or PyroScience protocol (switchable)	

<b>Data storage</b>	No internal data storage
<b>Max. sample rate</b>	40 Hz (0.025 s interval)
<b>Power consumption</b>	max. 30mA (+ currents used by analog current outputs)
<b>Operating / storage temperature</b>	-10 - 60 °C Storage 0-50°C Operating
<b>Oxygen sensors</b>	Refer to the separately available specifications for the connected oxygen sensor
<b>pH sensors</b>	Refer to the separately available specifications for the connected pH sensor
<b>Optical temperature sensors</b>	Refer to the separately available specifications for the connected optical temperature sensor

\*Please note, that the optical sensors have a different temperature range

Subconn Pin Nr.	Name	Subconn wire color	Function
1	GND	black	Ground
2	RS485B	white	RS485 Data B
3	VCC	red	Supply voltage
4	U1	green	Analog voltage out 1 (0-5V)
5	RS485A	orange	RS485 Data A
6	U2	blue	Analog voltage out 2 (0-5V)
7	I1	white/black	Analog current out 1 (4-20mA)
8	I2	red/black	Analog current out 2 (4-20mA)





## Contact

**PyroScience GmbH**  
Hubertusstraße 35  
52064 Aachen  
Deutschland

Tel.: +49 (0)241 5183 2210  
Fax: +49 (0)241 5183 2299  
info@pyroscience.com  
www.pyroscience.com